



## Corner Brackets (CBR):



## General Information:

**Function:** Connects profiles and panels at right angles.

**Features:**

1. Available with or without fastening set.
2. No end covers required
3. Counter-bored holes for positive location.
4. Dual mounting holes prevent twisting when the fasteners are tightened.

## Item Description:

CBR 43 x 43 x 85

CBR 43 x 43 x 85 - F (Fasteners Included)

## Item Number:

1.20.1053.0

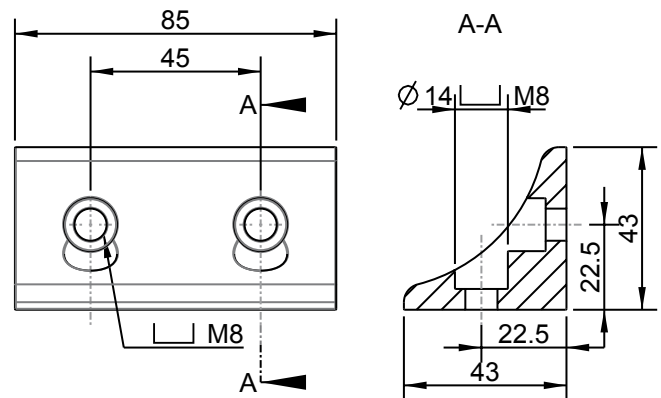
P45x90

P90x90

1.20.1053.0F

P45x90

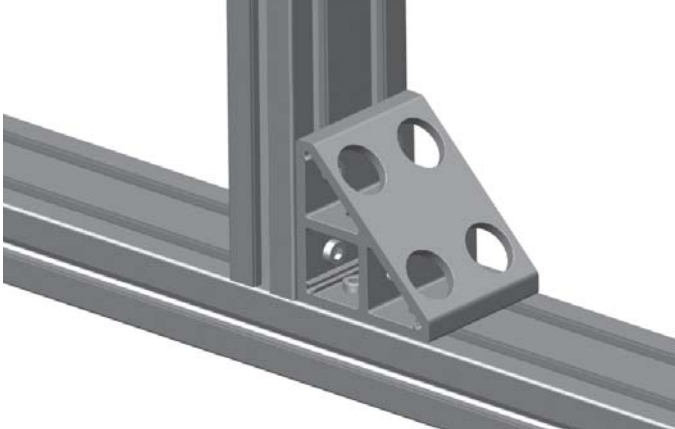
P90x90



## Technical Information:

Item Description	Bore	Weight (g)	Colour	Finish	Material
CBR 43 x 43 x 85	M8	151.0	Natural	Anodized - matt	Aluminium
CBR 43 x 43 x 85 - F					

**Corner Brackets (CBR):**



**General Information:**

**Function:** Connects profiles and panels at right angles

**Features:**

1. Available with or without fastening set.
2. No end covers required.
3. Dual mounting holes for extra strength and to prevent twisting when the fasteners are tightened.
4. Corner flutes can be tapped to mount side cover plates or miscellaneous components.

**Item Description:**

CBR 90 x 90 x 39

**Item Number:**

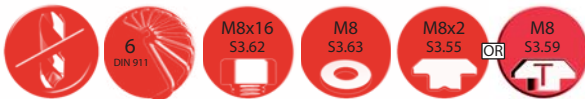
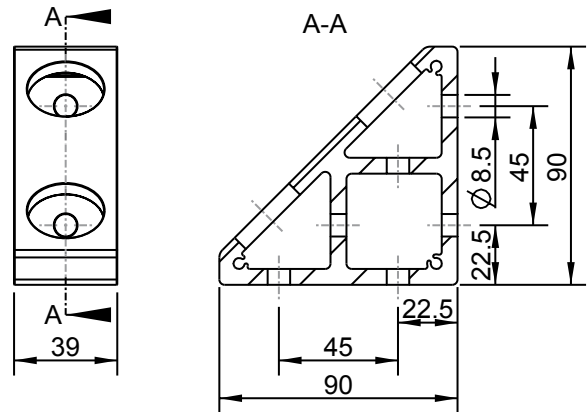
1.20.1054.0

P45x45 P45x60 P45x90

CBR 90 x 90 x 39 - F (Fasteners Included)

1.20.1054.0F

P45x45 P45x60 P45x90



**Item Description:**

CBR 90 x 90 x 85

**Item Number:**

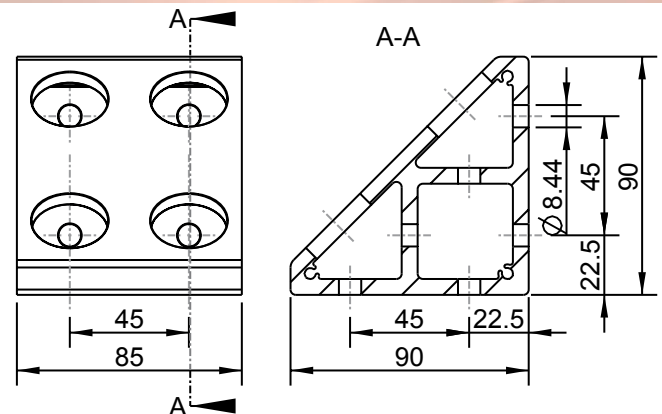
1.20.1055.0

P45x90 P90x90

CBR 90 x 90 x 85 - F (Fasteners Included)

1.20.1055.0F

P45x90 P90x90



**Technical Information:**

Item Description	Bore	Weight (g)	Colour	Finish	Material
CBR 90 x 90 x 39	M8	200.0	Natural	Anodized - matt	Aluminium
CBR 90 x 90 x 39 - F					
CBR 90 x 90 x 85		442.0			
CBR 90 x 90 x 85 - F					



## Corner Brackets (CBR):



## General Information:

**Function:** Connects profiles and panels at right angles

**Features:**

1. Mounting slots for easy positioning and adjustment.
2. 'CBR 42 x 100s' features centering tags for 10mm slots.
3. Available with or without fastening set.

## Item Description:

CBR 42 x 45s

## Item Number:

1.20.1056.0

P45x45

P45x60

P45x90

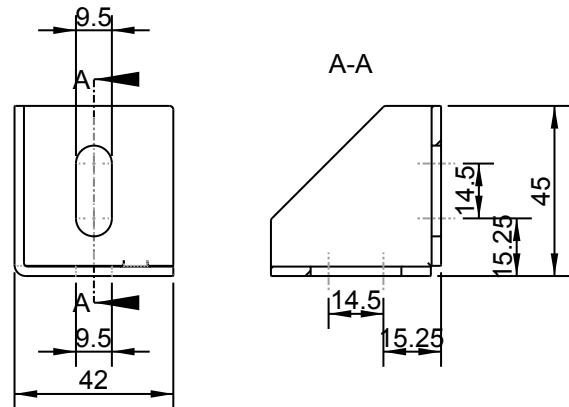
CBR 42 x 45s - F (Fasteners Included)

1.20.1056.0F

P45x45

P45x60

P45x90



## Item Description:

CBR 42 x 100s

## Item Number:

1.20.1057.0

P45x45

P45x60

P45x90

10

CBR 42 x 100s - F (Fasteners Included)

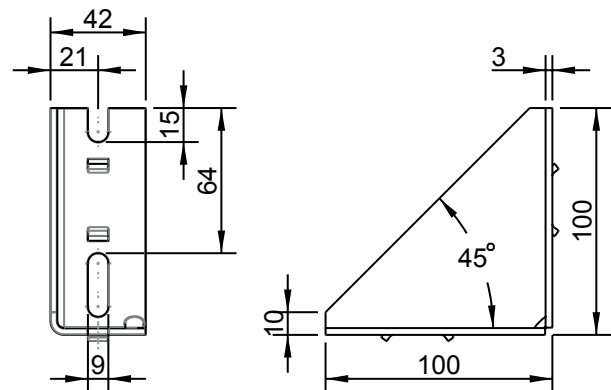
1.20.1057.0F

P45x45

P45x60

P45x90

10



## Technical Information:

Item Description	Dim -N- (mm)	Weight (g)	Colour	Finish	Material
CBR 42 x 45S	10.0	82.0	Black	E - Coat	3 mm steel
CBR 42 x 45S - F					
CBR 42 x 100S		243.0	Black or Steel	E-Coat or Zn plated	
CBR 42 x 100S - F					



**Corner Brackets (CBR):**

**General Information:**

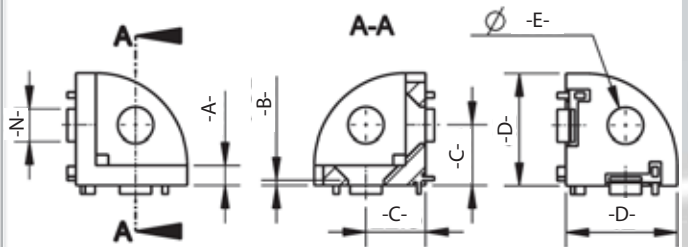


**Function:** Connects up to three profiles at right angles.

**Features:**

1. Can be used to connect either round or square profiles.
2. Round 'end covers' are available to provide smooth, flush finishes when connecting round profiles. (P20R, P30R & P45R range).
3. Square 'end covers' are available to provide smooth, flush finishes when connecting square profiles. (P20, P30, P45 range).
4. Available with or without fastening set.

Item Description:	Item Number: Without Fasteners	Item Number: With Fasteners		
CBR 20R	1.20.0658.0	1.20.0658.0F	<span style="border: 1px solid red; padding: 2px;">P20x20</span>	<span style="border: 1px solid red; padding: 2px;">6</span>
CBR 30R	1.20.0858.0	1.20.0858.0F	<span style="border: 1px solid red; padding: 2px;">P30x30</span>	<span style="border: 1px solid red; padding: 2px;">8</span>
CBR 45R	1.20.1058.0	1.20.1058.0F	<span style="border: 1px solid red; padding: 2px;">P45x45</span>	<span style="border: 1px solid red; padding: 2px;">10</span>



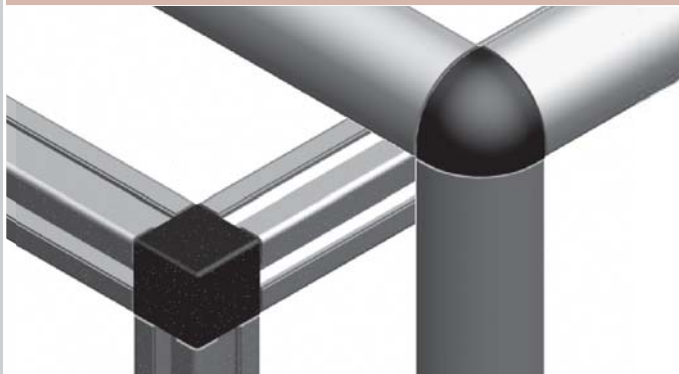
**Technical Information:**

Item Description	Dim -N- (mm)	Dim -A- (mm)	Dim -B- (mm)	Dim -C- (mm)	Dim -D- (mm)	Dim -E- (mm)	Weight (g)	Colour	Finish	Material
CBR 20R	6.0	3.50	1.0	10.0	18.50	6.50	-	Natural	Plain	Die-cast zinc
CBR 30R	8.0	5.0	1.30	15.0	28.0	9.0	39.0			
CBR 45R	10.0	8.50	2.0	22.50	42.0	13.50	-			





## End Covers (EC):



## General Information:

**Function:** The 'Round end covers (EC 20R, EC 30R & EC 45R)' provide clean, flush finishes when connecting round profiles. (P20R, P30R & P45R range).

The 'Square end covers (EC 20S, EC 30S & EC 45S)' provide clean, flush finishes when connecting square profiles. (P20, P30, P45 range).

**Features:**

1. Self centering.

## Item Description:

EC 20R

## Item Number:

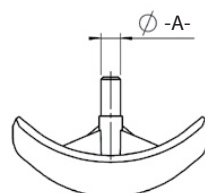
1.28.2047.0

EC 30R

1.28.3039.0

EC 45R

1.28.4547.0



## Item Description:

EC 20S

## Item Number:

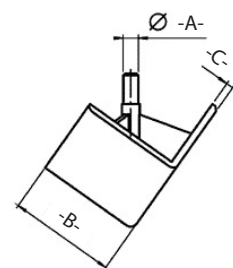
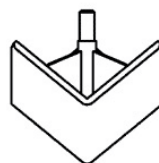
1.28.2028.0

EC 30S

1.28.3038.0

EC 45S

1.28.4548.0

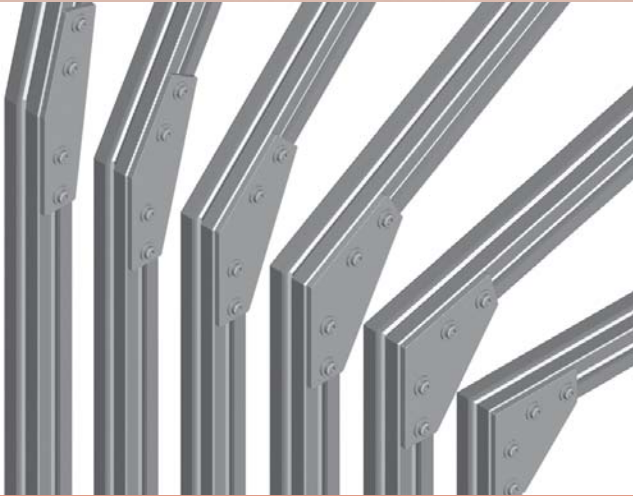


## Technical Information:

Item Description	Slot -N-	Dim -A-	Dim -B-	Dim -C-	Weight (g)	Colour	Material
EC 20R	-	2.8 mm	30 mm	1.2 mm	-	Black	Fibreglass reinforced
EC 30R	-	4.2 mm	30 mm	1.8 mm	8.0		PA
EC 45R	-	5.8 mm	96 mm	3 mm	-		PA
EC 20S	-	2.8 mm	20 mm	1.2 mm	-	Black	Fibreglass reinforced
EC 30S	-	4.2 mm	40 mm	2 mm	10.0		PA
EC 45S	-	5.8 mm	45 mm	3 mm	-		PA



**Joining Plates (JP):**

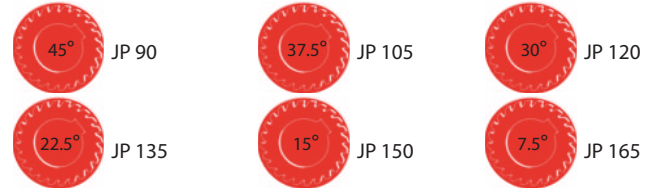


**General Information:**

**Function:** Joins profiles end to end at specific angles.

**Cut Angles:**

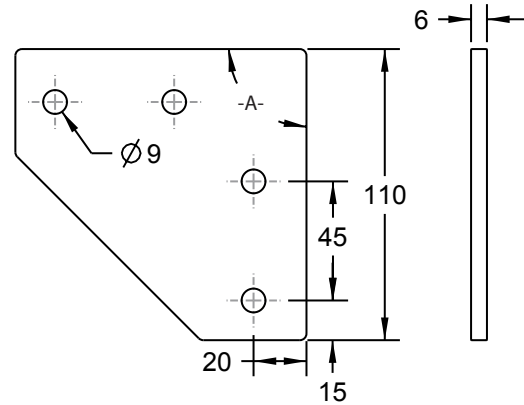
The required cutting angle for the adjoining profiles are specified below for each joining plate.



**Item Description:**

**Item Number:**

JP 90	1.20.1070.0	P45x45	P45x60	P45x90
JP 105	1.20.1071.0	P45x45	P45x60	P45x90
JP 120	1.20.1072.0	P45x45	P45x60	P45x90
JP 135	1.20.1073.0	P45x45	P45x60	P45x90
JP 150	1.20.1074.0	P45x45	P45x60	P45x90
JP 165	1.20.1075.0	P45x45	P45x60	P45x90

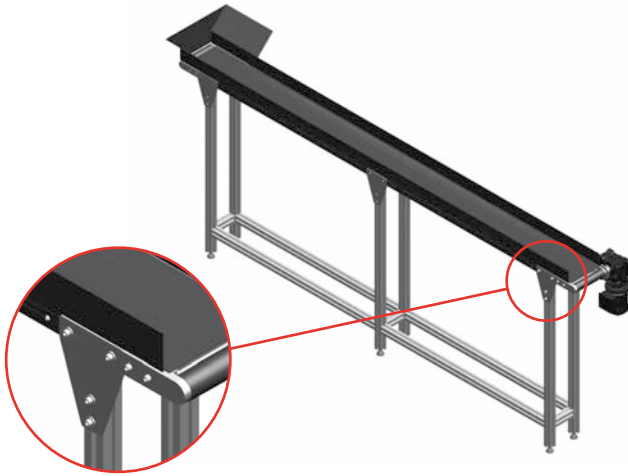


**Technical Information:**

Item Description	Angle -A- (°)	Weight (g)	Colour	Finish	Material
JP 90	90.0		Natural	Zinc plated	6 mm mild steel
JP 105	105.0	431.0			
JP 120	120.0	477.0			
JP 135	135.0	468.0			
JP 150	150.0	410.0			
JP 160	160.0	405.0			



## Joining Plates (JP):



## General Information:

**Function:** Connects aluminium profile frames at right angles.

**Features:**

1. Robust, height adjustable support for aluminium profile frames.
2. Dual mounting holes to prevent twist.

## Item Description:

JP - T

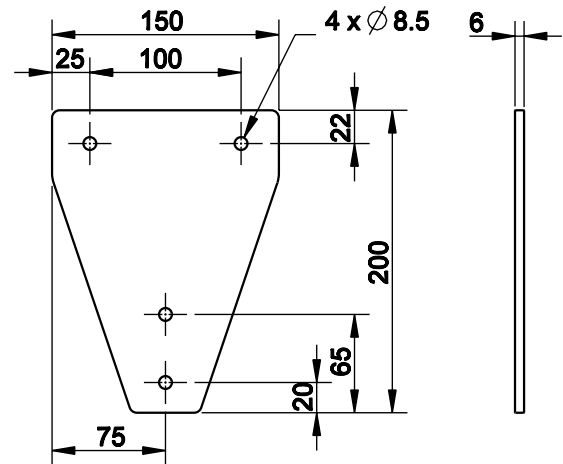
## Item Number:

1.20.1076.0

P45x45

P45x60

P45x90



## Item Description:

JP - TS

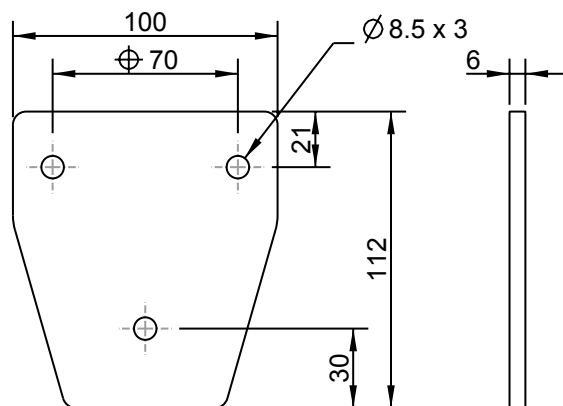
## Item Number:

1.20.1077.0

P45x45

P45x60

P45x90

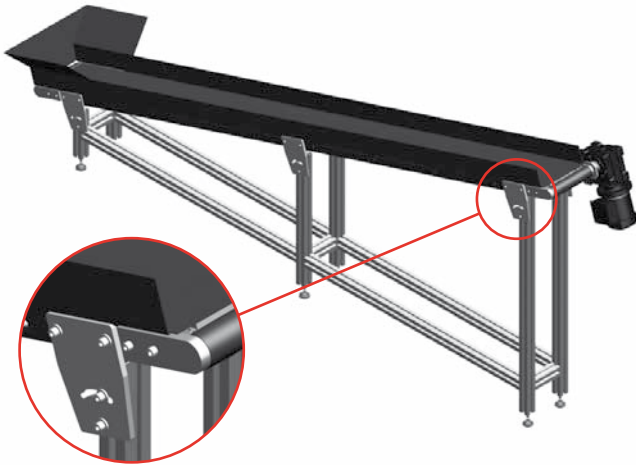


## Technical Information:

Item Description	Set	Weight (g)	Colour	Finish	Material
JP - T	-	997.0	Natural	Zinc plated	6 mm mild steel
JP - TS	-	443.0			



Joining Plates (JP):



General Information:

**Function:** Adjustable support for reclining aluminium profile frames.

**Features:**

1. Curved slot allows adjustment from 60° to 120° for reclining aluminium profile frames.
2. Dual mounting holes to prevent twist.

Item Description:

JP - S

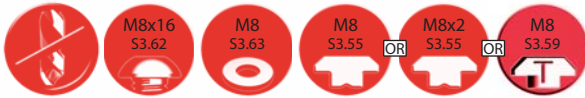
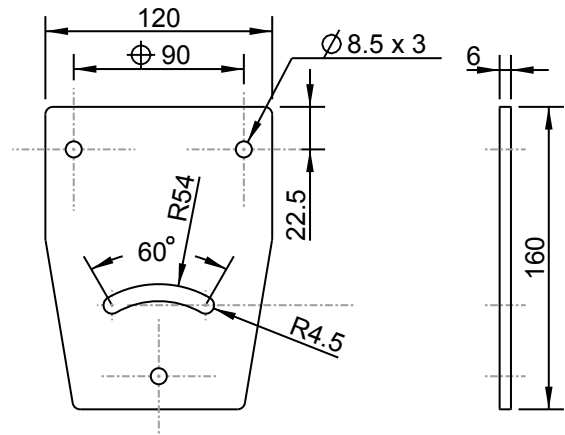
Item Number:

1.20.1079.0

P30x30

P45x45

P60x60



Technical Information:

Item Description	Set	Weight (g)	Colour	Finish	Material
JP - S	-	1047.0	Natural	Zinc plated	6 mm mild steel





Joining Plates (JP):



General Information:

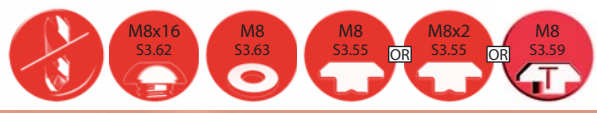
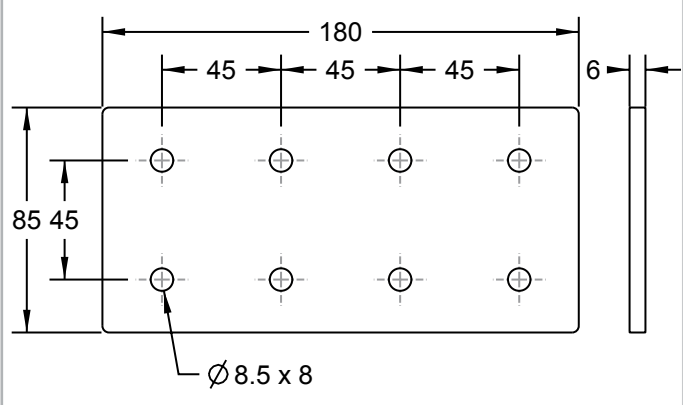
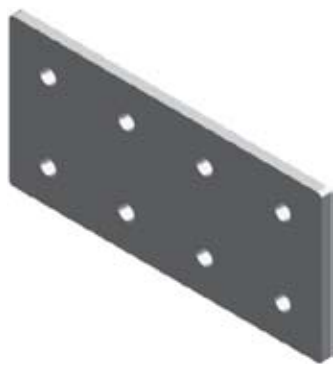
**Function:** Butt fastens 45 x 90 or 90 x 90 profiles.  
**Features:**  
1. Dual mounting holes to prevent twist when the fasteners are tightened.

Item Description:

JP 90 x 180

Item Number:

1.20.1078.0 P45x90 P90x90

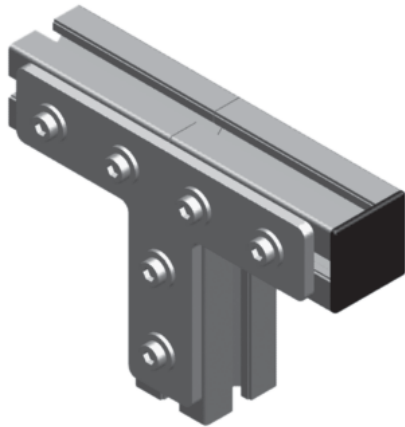


Technical Information:

Item Description	Set	Weight (g)	Colour	Finish	Material
JP 90 x 180	-	-	Natural	Zinc plated	6 mm mild steel



Joining Plates (JP):



General Information:

**Function:** Butt fastens and joins 45 x 45 profiles at right angles.

**Features:**

- 1. Dual mounting holes prevent twist when fasteners are tightened.

Item Description:

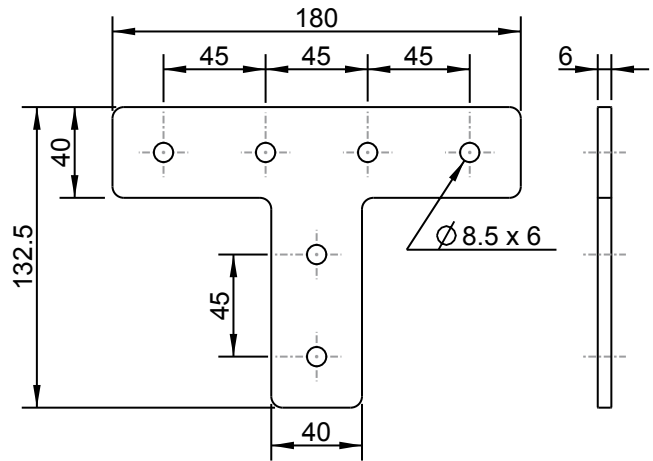
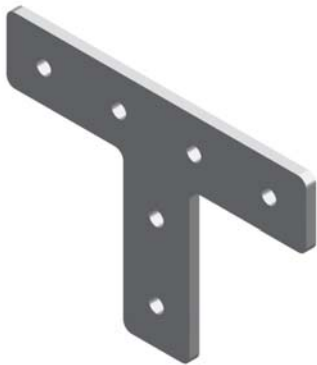
T - JP

Item Number:

1.20.1082.0

P45x45

P45x90



Technical Information:

Item Description	Set	Weight (g)	Colour	Finish	Material
T - JP	-	-	Natural	Zinc plated	6 mm mild steel